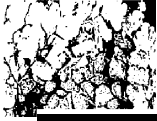




RU-TSC35-Cover.fm 1

2004^12^100

0 ^ 11^2^



m

w 2.1\*

# Panasonic

S  
3  
|  
|

## KX-TSC35RUW 3



**Bac** ,

**Panasonic**

Caller ID

B

Caller ID -

ID

Caller

( )

( )	( .7)
( .7)	( .7)
( .7)	( .14)

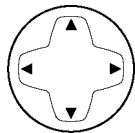
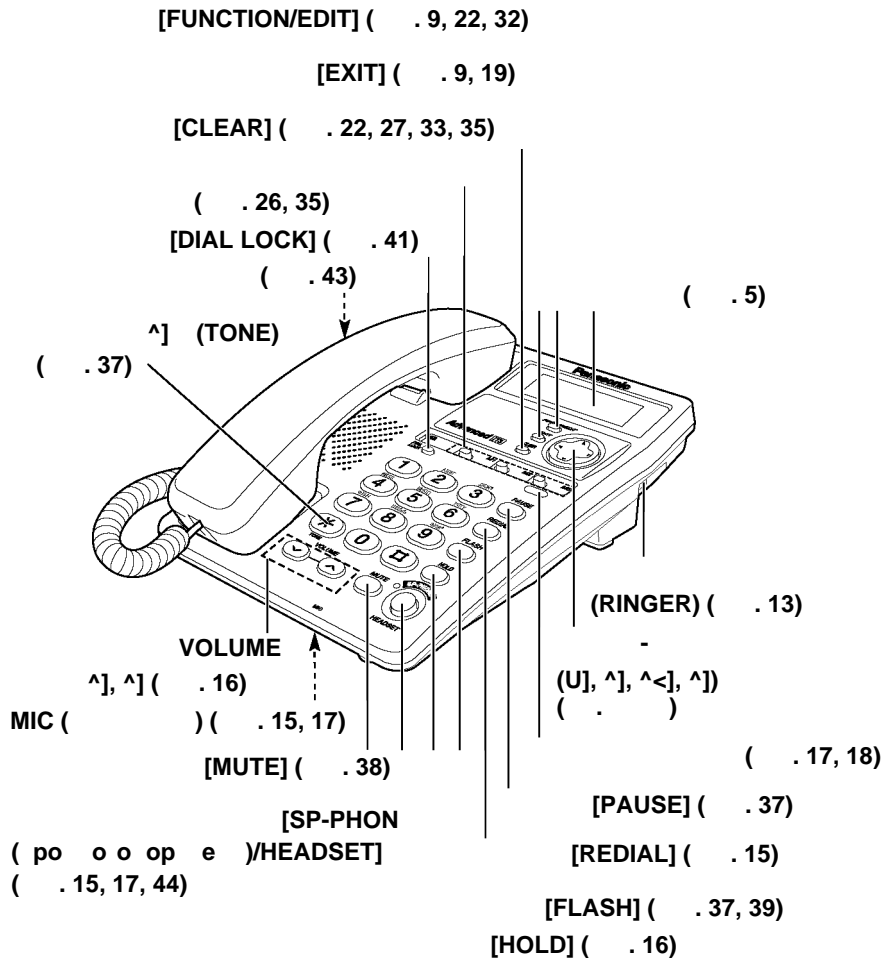


Подготовка к работе

	..... 4	..... 28
	..... 5	..... 28
	..... 6	..... 31
	..... 6	..... 32
	..... 7	..... 32
	..... 8	..... 33
	..... 8	..... 34
	..... 9	..... 34
	..... 10	..... 36
	..... 12	..... 37
	..... 13	
	..... 13	
	..... 14	
	..... 15	
	..... 17	
11 !	..... 18	
	..... 19	
	..... 19	
	..... 21	
	..... 22	
	..... 23	
	..... 25	
	..... 27	
	..... 43	
	..... 45	
	..... 46	
	..... 48	
	..... 50	



Полезная информация



^], U], N] ^].

1234567890123456

» ^1 1 ( )

12:34 21.5  
10 HOB

0:00 1.1

1.1" ^"  
( .10, 11).

"0:00

12:34 21.5  
0106-35

35 ( .1 6 )

111444777  
11:50 24.11 3

— ;  
— ( .24 11:50);  
— ( .

-0 :

.41.

j81 :

[MUTE] ( .38).

tip :

® :

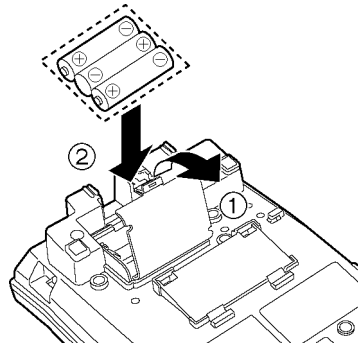
[REDIAL],  
SP-PHONE/HEADSET ( .16).

P :

[PAUSE].

F :

[FLASH].



1  
2  
3

(©).

(@),

(1 6)

( 6,

-3)

“ ”.

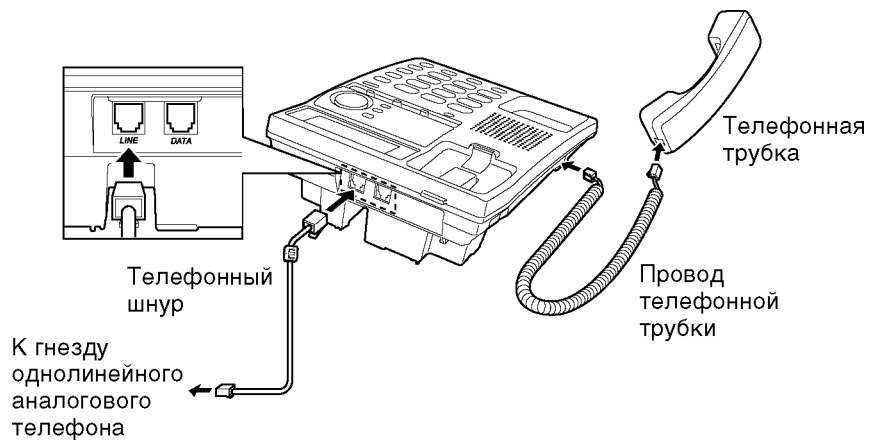
:—

6

—

3

- ( .5)
- ( .9)
- ( .15, 17)
- ( .16)
- 11 ( .18)
- / ( .31,32)
- ( .37)
- ( .43)



Panasonic KX-TSC35RUW.

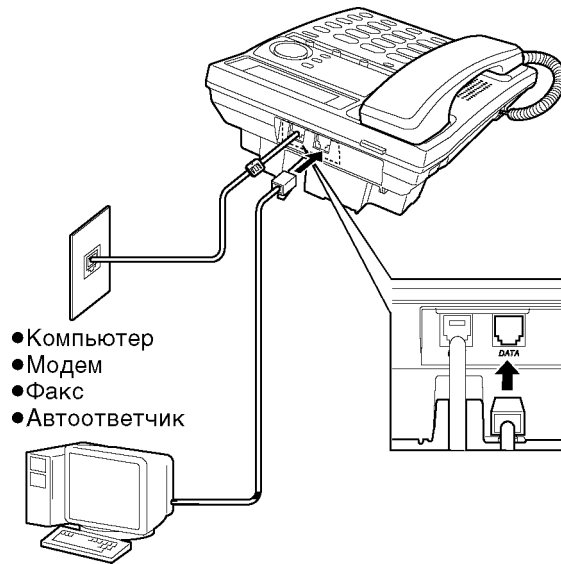
-ATC,

Caller ID,

DATA

DATA

( .7).



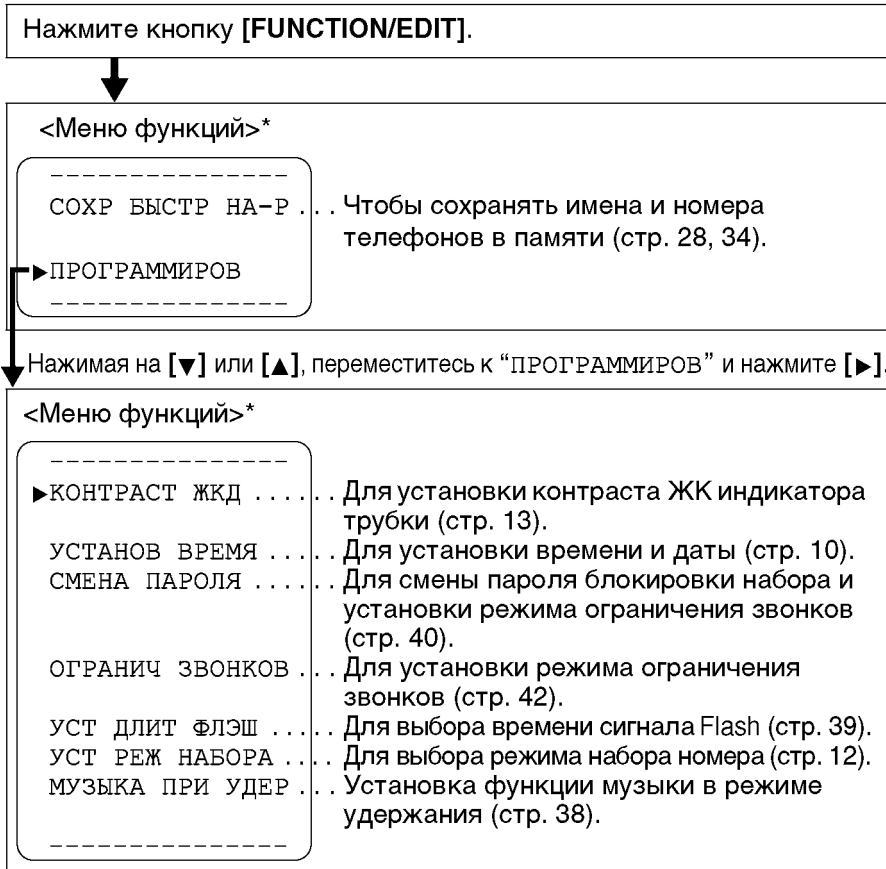


## Общие сведения о программировании аппарата

Вы можете запрограммировать указанные ниже функции. Диаграмма показывает инструкции по программированию. Дополнительную информацию о функциях см. на соответствующих страницах.

**Убедитесь в том, что трубка находится на аппарате, а индикатор SP-PHONE/HEADSET не горит.**

Подготовка к работе



Во

- , 1.
- "-----"
- [EXIT].
- 60

- / , . ,

1 [ / ! ].

2 ^], ^],  
“ ”

3 ^].  
“ ”,  
^].

4 ^]. 00:00 01.01  
0000  
=

5 ^] (  
) . 0000 =

6 ( . 2003 2003 =  
“2003”.)  
•  
2000 2099.

7 ^] (  
) . 00:00 =

8 ) 4- ( 09:30 =  
( . 9:30  
“0930”.)  
• 0000 2359.



. , ATC, <sup>c</sup>  
 , TOH.  
 .  
 . , a  
 SP-PHONE/HEADSET .  
 1 [FUNCTION/EDIT]. -  
 2 “ ”, -  
 ^] U].  
 3 ^].  
 4 “ ”,  
 J.  
 5 ^]. : ^=  
 6 “ ” “ ”,  
 J.  
 7 ( )  
 •  
 • 4- .  
 [EXIT]  
 60 .  
 [EXIT]. ,

1 4

. C

3.

SP-PHONE/HEADSET

1 [FUNCTION/EDIT].

2 ^] U], " KOHTPACT  
^].

3 ^], KOHTPACT  
"KOHTPACT". =

4 U]. ^] U]

5 ^] ( ).

2-  
[EXIT] 60

[EXIT].

F

HIGH ( ), LOW ( ), OFF - HIGH.



RINGER:

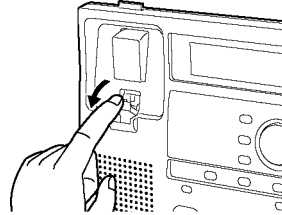
HIGH, LOW

OFF.  
OFF

RINGER

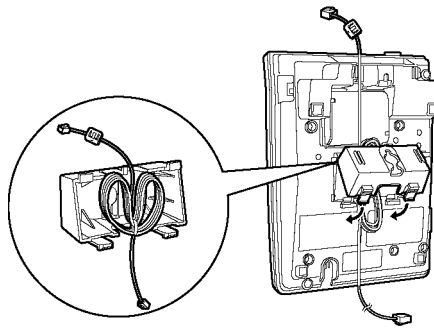
OF^ HIGH  
LOW

1

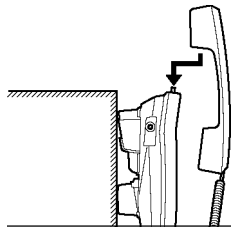
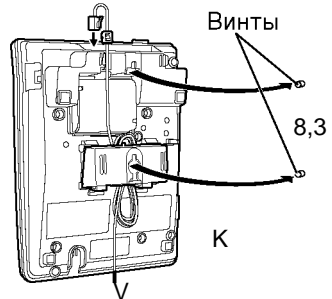


2

“UP” (“ ”)



3



8,3

1 [ - / ]. 12:34 21.5

2 12:34 21.5  
12345678

12:34 21.5  
00.00-00

3 (MIC).

4 [SP-PHONE/HEADSET]. 12:34 21.5

VOLUME ^]

[SP-PHONE/HEADSET].

[REDIAL].

[SP-PHONE/HEADSET]  
[REDIAL].

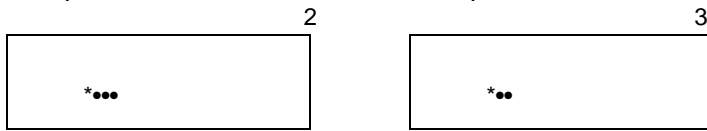
4

“ - /

Основные операции

- ( )
- 20
1. [REDIAL].
  - 
  - 
  2. ^] U], [REDIAL].
  - 
  - 
  - 
  3. [EXIT]. [SP-PHONE/HEADSET].
  - 1-2 [CLEAR].
  - “ ”,
- (4 ) (8 )

VOLUME ^].  
VOLUME ^].



- 
- (HOLD)
- [HOLD].
- SP-PHONE/HEADSET
- 
- 
- 38.
- 
- [HOLD].
- [SP-PHONE/HEADSET].

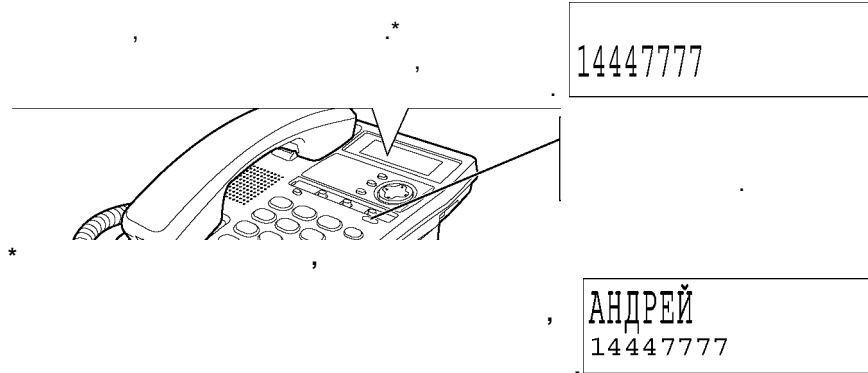


- , “ ”.
- Caller ID, ( . 18).
- 1 [SP-PHONE/HEADSET].
- 
- 2 (MIC).
- 3 [SP-PHONE/HEADSET].
- OFF ( . 13),
- 
- 
- 

**Основные операции**

# Caller ID

Caller ID, Caller ID,  
B , 50 ,  
51



( . 28).  
:

Caller ID, Caller ID,  
"homep he".  
"homep".  
-ATC,  
Caller ID, Caller ID  
Caller ID.

Caller ID,  
Caller ID.

10 , 12:34 21.5  
10 HOB

1 .

2 .

3 .

10 =

^].

].

[ ] ].

[EXIT].

1 “ ”,

Основные операции

Hanp. c :

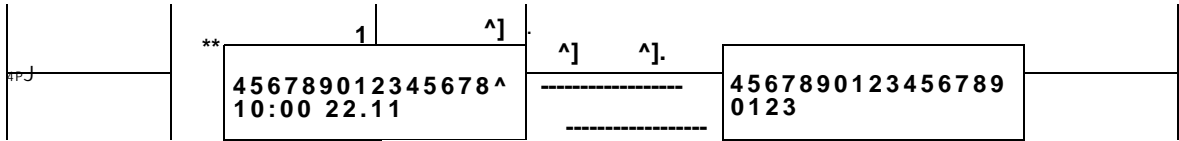
<sup>2</sup>  
^=

U1.

**i** [ [EXIT].  
14447777  
11:50 24.11 x1

[W].

12345678  
10:50 23.11 4



[W].

0  
^=

[ ].

, ( , ,  
)  
, ^), , .  
^1,

x1-x9:

:

( 9).

(x1-x9)

1  
2  
3

^].  
60 [ 1 ]

[ - / ].

( .22).

12345678  
10:50 23.11 4

12:34 25.11  
12345678

12:34 25.11  
00.00-00

**Основные операции**

1 1

2 ^1 ^]. 12345678  
10:50 23.11 4

3 [ / ! 1. 012345678  
=

[ ]

• 1 ^1.

4

[ - / ]( .21).

24. 4 6 ' .23

4 7 .25 26.

[ ! 1 3 60 .

**SP-PHONE/HEADSET**

1 ^ ] ^ ]

2 ^ ] ,

12345678  
10:50 23.11 4

3 [FUNCT N/EDIT].

.12345678

• .22. =

4 ^ ( )

12345678  
= =

5 ^ ( )

“ ”  
) ^ ]  
( )

#= / =

) ^ ]  
( .30). ^ ]

#= / : [43

( )

12345678  
= =

.( . —01.) 1, 2, 3 #:01  
=

( 01 50),

[0] [9].

( — )



6  
^ ) (

12345678	#01
----------	-----

#01  
= ?  
^=

( )  
^]  
^] ( ),  
[0] [9],  
^] ( ).  
•  
•

[EXIT]  
60  
5 - 3  
", [EXIT] . 33.  
1. [EXIT].



([M1], [M2] [M3]).

SP-PHONE/HEADSET

1 ^] ^]

2 ^] U],

12345678  
10:50 23.11 4

3 [FUNCT N/EDIT].

12345678

4 ^] (

12345678  
= =

5 ^] (

“ ”.  
) , ^]  
( ) .  
) ,  
( . 30). ^]  
( ) .

^#= / = [43

#= / = 4^

12345678  
= =

1, 2, 3 #:01  
=

( - )

Основные операции

6  
 ([M1], [M2] [M3]).  
 ( [M1].)

HOM M1,M2,M3 #:M1  
 =

7  
 ^]  
 ).

12345678	#M1
se	

,  
 ,  
 ,  
 ,  
 ^]  
 ( ).  
 ^]  
 ( ),  
 ^]  
 ( , ).  
 •  
 •

#M1  
 = ?  
 ^=

[EXIT]  
 60

5 - 3 , [EXIT]  
 1.

“ -  
 . 35.  
 [EXIT].

1

2     ^]     ],

3             [CLEAR].

   •

   •

   •

           [EXIT]

60

1           ^]    ^]

2             [CLEAR].

3            “           bce”,

  ^ ^]    U].

4            ^] (            )

  ^ [CLEAR].

   •

   •

12345678  
10:50    23.11

**Основные операции**

=
=

SP-PHONE/HEADSET

1 [FUNCTION/EDIT].

2 ^],  
^ " - ". # = / =

3 [0]  
[9] ( . 30) # = / =  
15 .

• ] ^].  
• ( ) ^] 5 .

4 ^] (  
) .

5 12223333.  
22 . =  
• [CLEAR]

6 ^] (  
) . 12223333  
= =

•  
•  
U] ( , )

7 ( HOM M1,M2,M3 #:12  
).  
•  
• .( . —12.)  
( 01 50),  
[0]  
[9].

8 ^(  
).  
12223333 #12  
c #12 ? =  
? =  
.  
( ).  
^ ( HET),  
,  
[0] [9],  
^ (  
).  
•  
•  
• 2  
[EXIT] 1 60  
2  
" [EXIT] " —  
.33.  
[EXIT].  
,  
[PAUSE],  
[FLASH]  
,  
[PAUSE] [FLASH]  
( . 37, 39).

Расширенные функции

[#]

[#]

[1]	# & ' ( ) >1< , - . /	#1 & ' ( ) >1< , - . /	1
[2]	A 2	a b c A B C 2	
[3]	3 3	d e f D E F 3	
[4]	K 4	g h i G H I 4	
[5]	M H O 5	j k l J K L 5	
[6]	P C T 6	m n o M N O 6	
[7]	X 7	p q r s P Q R S 7	
[8]	8	t u v T U V 8	
[9]	' 9	w x y z W X Y Z 9	
[0]	I ¥ 0	0	
N]			
^]		( .)	
[#]		( )	

[CLEAR]

[CLEAR]

- 1 [3] ^]
- 2 [3]
- 3 [5]
- 4 [9]

SP-PHONE/HEADSET

- 1
- 2 ].
- (01 50).

12345678	#01
----------	-----

Расширенные функции

- ^].
- #01 #02 #03 #50 #M1 #M3
- ^].

2 [EXIT].

1                    ^1                    .

2                    ],                    14567890                    #33

                  .

                  (01 50).

3                    [ - / ].

4                    [ - / ].

                  .

1.                    [ - / ].

2.                    ( 1 2 ).

3.                    ^].

                  .

- /                    .

1                    .

2                    ],

                  .

                  .

                  .

                  (01 50).

3                    [FUNCTION/E IT1.

                  .

                  #= / =

                  \_\_\_\_\_

4                    ,

                  ( . 30).

                  .

                  1 ^1 ,                    [CLEAR].

5                    (                    .1.5556666

                  ).                    =

6                    .

                  .

                  .

                  [CLEAR]

                  .

                  .

                  6 8

                  .28 29.

15556666	#05
	se



1

2 **Наименование** U].  
(01 50).

14567890 #2 5

3 [CLEAR].  
(het).

УДАЛИТЬ?  
←НЕТ →ДА

4 [CLEAR].  
2.  
[EXIT]  
60

УДАЛЕНО

ПУСТО #25

[EXIT].

**Расширенные функции**

3

SP-PHONE/HEADSET

1 [FUNCTION/EDIT].

2 ^],  
“ ”.

#= / =

3 [0]

[9] ( . 30)  
15

• ] ^].

4 ( ) 5.

4 ^] ( HOM  
)

22

14445555.

• [CLEAR]

6 ^] ( )

14445555  
= =

7 ^] ( )

HOM #:12  
1, 2, 3  
=

8  
 ^

( ([M1], [M2] [M3]).  
 [M1].)

9  
 ^] (

14445555 #M1

#M1 ?  
 =HET ^=f|A

( ).

^] ( HET),

( ).

2

1-

[EXIT] 60

2  
 ", [EXIT] " - . O -

( . 42) ( . 41)

( [M1] [M3]).  
 [EXIT]

[PAUSE]. [PAUSE] [FLASH] [FLASH]

( . 37, 39).

1

[CLEAR].

2  
 ^] = ? =

3  
 ^] ( )

[CLEAR].

[EXIT] 60 #M3

Расширенные функции

1 [ - / ].

2 ([ 1], [ 2]

[ 3]).

•

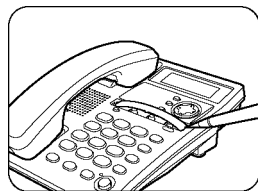
1 ([ 1], [ 2]

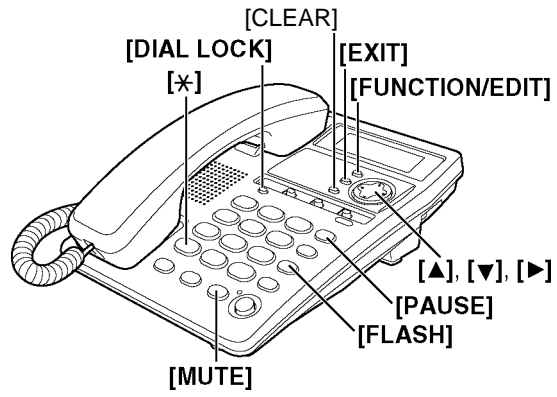
[ 3]).

•

2 [ - / ].

•





( c )  
 ^ ] (TONE)

• , .

( - / )  
 [PAUSE]

• [9] ( )  
 [9^ ^ [PAUSED ^ | ~]  
 [PAUSE] 3,5-

• [PAUSE]

[FLASH],

• ,  
 • [FLASH].  
 • ,

Расширенные функции

[MUTE]. Ha

• ”.  
• - , . ,  
• [MUTE].

/

/

— , . ,

SP-PHONE/HEADSET

1 [FUNCTION/EDIT].

2 ^] U],  
“ ”  
^].

3 “ ”,  
].

4 ^].  
• “ ”. :BKĚ.  
=

5 “ . ” “ . ”,  
U1.

6 ( )  
).

•  
• 3- .

[EXIT] 60 .

# FLASH

[FLASH]

Вам

YATC, ,

( ), , .

YATC.

: "90, 100, 110, 250, 300,

400, 600 700 ". "600 ".

SP-PHONE/HEADSET .

1 [FUNCTION/EDIT].

2 ^] U],  
" "  
^].

3 " U],



4 ^].

:600MC =

5 ^],

6 ^] (  
).

•

3-

[EXIT]

60

[EXIT].

( . . )

-ATC,

-ATC

-ATC

Расширенные функции



— “1111”.

**SP-PHONE/HEADSET**

1 [FUNCTION/EDIT].

2 ^] ^], “ ”  
^].

3 “CMEHA ”,  
^] U]. CMEHA

4 ^].  
=

5 .  
0000 =

6 ^] (  
).  
• =  
3 .

7 4- . ( . :1234 =  
“1234”.)

8 ^] ( ).  
•  
• 3- [EXIT] 60 .  
[EXIT].

Panasonic.



( . 34).

1

[DIAL LOCK].

•

^)".

=

2

( . 40).

:0000

3

^](

:- :

=

).

•

•

3

^)".

[SP-PHONE/HEADSET]

“

”.

•

•

•

•

•

•

•

—

—

—

( . 36)

( . 13)

( . 16, 44)

( . 16)

( . 38)

[FLASH] ( . 37)

(  
)

( . 19)

( . 31)

( . 16)

1-3, 3

Расширенные функции

( .34). B

SP-PHONE/HEADSET

1 [FUNCTION/EDIT].

2 ^] ^], “ ”

^]-

3 “ ”, СМЕНА

^].

4 ^].

=

(  
— “1111”)

=

1-2.

1. ( .40).

2. ^] ( 0000 =

).

5.

3

5 1 2 “9”.

( [0] [9])

НОМЕР ОГРАНИЧ  
:-9  
▶=СОХРАНИТЬ

[CLEAR]

6 ^] ( ).

3-

[EXIT]

60

“ ”

с 1 4 . 42. 5 [CLEAR],  
, ^] ( ).

**(Hands-Free).**  
**Panasonic KX-TCA89EX.**



1 [SP-PHONE/HEADSET]

- SP-PHONE/HEADSET.
- [SP-PHONE/HEADSET]

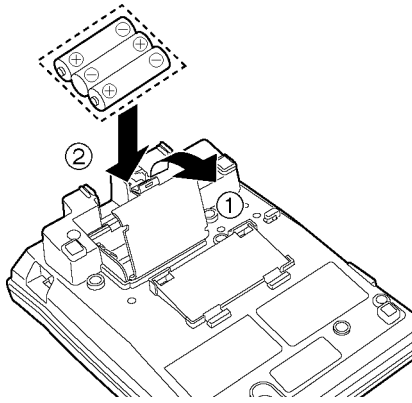
2

[SP-PHONE/HEADSET].

- 

(4 ):  
VOLUME ^] ^].

- 
- 
-



^^” —

1

2

(©).

3

(+, -)

(@),

4

“0:00 1.1”,

^)”

:

“0:00 1.1”

^)”

6

(  
3

.)

( 1- )

- 
- ( . 6-14).
  -
- 
- ( OFF).  
( ) LOW ( HIGH  
) ( . 13).
- 
- ( . 45).
- 
- ( . 12).
  - . 41.
  - . 43.
- 
- [MUTE].  
^",
  - [MUTE].
- 
- SP-PHONE/HEADSET,
  - 
  - 60
- 
- Caller ID.
  - 
  - 
  - 
  - Caller ID.

.  
 - / .  
 .  
 60 .  
 22 .  
 ( .41) ( .42)  
 ( [ 1] [ 3]).  
 - “ - ”,  
 ( .33, 35).  
 [ - / ].  
 / .  
 . 60 / .  
 [ ! 1]. 32 ,  
 “ ”,  
 .

- 1) , , , . . ,
- 2) , , , . . , ,  
5° 40° .
- 1)  
2) .
- 3) , , . . ,  
:  
:  
1.  
2. . . . .  
3. . . . .  
4. — !  
5. , , , . . ,  
6. . . . .  
7. . . . .  
8. , . ( . )  
9. . ( . ) ( . )  
10. , , , . . ,  
11. , , , . . ,



:

.

.

,

,

.

,

.

**7**

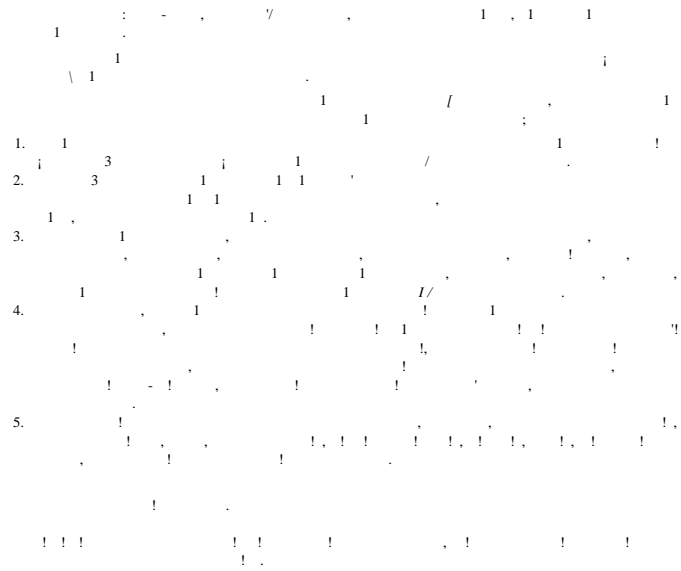
,

.

:  
3  
(B x x ): 95 x 167 x 224  
: 700 .  
: ( 1 )/  
: 5°C - 40°C

AA (LR6, R6, UM-3)

No-: (Model)	Model of adapter	Date of purchase
Serial	Serial of adapter	Teri naKynniKaa, Purchaser's Name and Address
Name and legal Address	Seller's signature	apra-liaubij Seller's Stamp

Matsushita Electric Industrial Co., Ltd.





### **English**

Attention: Please, make sure that the Seller has correctly, clearly and fully completed the present card.

The present warranty is issued by the Producer in addition to the constitutional and other rights of the consumers and in no way restricts these rights.

The present warranty is issued for a one year duration from the date of purchase and is valid if, the product is found to be defective due to materials or workmanship under the following conditions.

1. The product should be purchased only on the territory of the CIS and should be used in strict compliance with the operating instructions and under technical standards and/or safety regulations.
2. The warranty duties under the present warranty are to be executed on the territory of the CIS by authorized entities and service centers, the list of which could be obtained from the company, selling to you this products.
3. The present warranty is not valid, if the damage or defect is caused by fire, lightning or other acts of God, mechanical damage, improper use, wear, neglectful handling, repair or adaptation made by a non-certified person, as well as by installation, adaptation, modification or operation with violation of technical specifications and/or safety regulations.
4. In case during the warranty period any part or parts of the product are replaced with some part or parts, which have not been supplied or certified by the producer, and also were of inadequate quality or could not be used for the product; or the product was disassembled or repaired by a person not-certified for rendering such services, the customer shall lose all and any rights under the present warranty, including the right of reimbursement.
5. The present warranty shall not be extended over the furnishing and cabinet parts, lamps, batteries and accumulators, stylus, antenna, safety screens, waste bags, filters, belts, brushes and other parts with limited service life.

#### **Installation and connection**

In case installation of the purchase appliance is required, you may resort to paid services of the specialists of the authorized entities and service centers to carry-out all necessary works for normal operation of the appliance.

**Matsushita Electric Industrial Co., Ltd.**

---

«  
119021 , . 17»,  
.:(095) 258-42-04  
.:(095) 258-42-25  
WEB-site: [www.panasonic-engineering.m](http://www.panasonic-engineering.m)  
e-mail: [sc@panasonic-engineering.m](mailto:sc@panasonic-engineering.m)

For additional information you may resort to apply to the company, which is appointed for dealing with Consumers:

Panasonic Engineering CIS., Ltd  
119021 Moscow, Rossolimo st. 17  
Tel.:(095) 258-42-04  
Fax.:(095) 258-42-25  
WEB-site: [www.panasonic-engineering.ru](http://www.panasonic-engineering.ru)  
e-mail: [sc@panasonic-engineering.ru](mailto:sc@panasonic-engineering.ru)

Matsushita Electric Industrial Co., Ltd.

RU-TSC35RUW.book 56^'^ 2 0 0 4 ^ 1 2 ^ 1 0 0 ^ B 0 ^ ^ 1 0 ^ 4 9 ^

**poMSBefleHo nanacoHMK KoMMyHMKeMWHc (Majawswr) CfiH. Bxfl.  
CeHa0 Maja03Mr**

**Manufactured by Panasonic Communications (Malaysia) Sdn. Bhd.  
Senai Malaysia**

**PQQX13973ZA F0903-0 ©**